



Engine Cummins QSB7
Rated Power 169 kW (227 hp / 230 ps) @ 2,050 rpm
Operating Weight 41,500 kg

943E MH EXCAVATOR

943E^{MH} SPECIFICATIONS >>>

ENGINE

Emission Regulation	Stage IIIA
Manufacturer	Cummins
Model	QSB7
Rated Power	169 kW (227 hp / 230 ps) @ 2,050 rpm
Net Power	156 kW (209 hp / 212 ps) @ 1,900 rpm
Peak Torque	895 N·m @ 1,250 rpm
Number of Cylinders	6
Displacement	6.7

UNDERCARRIAGE

Shoe Width	600 mm
Number of Shoes per Side	50
Number of Upper Rollers per Side	2
Number of Bottom Rollers per Side	9

BOOM & ARM

Boom Length	8,500 mm
Arm Length	6,200 mm

TRACK DRIVE

Maximum Travel Speed	5.3 km/h
Drawbar Pull	300 kN

SERVICE CAPACITIES

Fuel Tank	620 L
Engine Oil	23 L
Cooling System	35 L
Hydraulic Reservoir	240 L
Hydraulic System Total	450 L

HYDRAULIC SYSTEM

Main Pumps Total Flow	2×300 L/min
Relief Pressure, main	34.3 MPa
Relief Pressure, boost	37.3 MPa

SWING SYSTEM

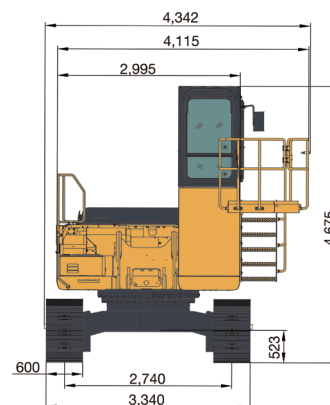
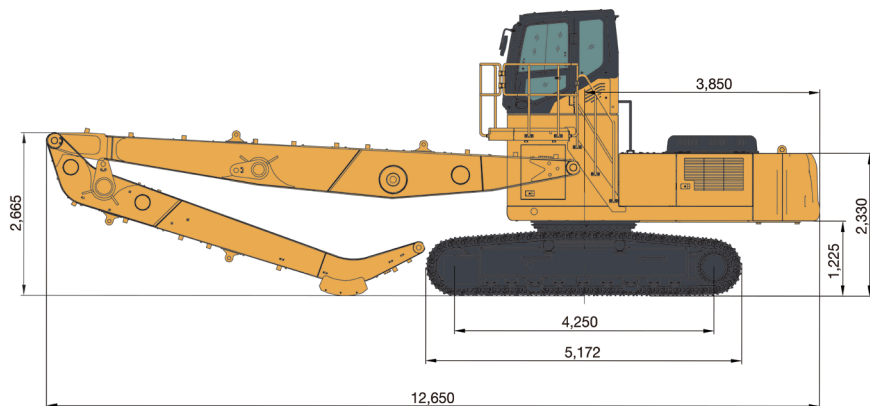
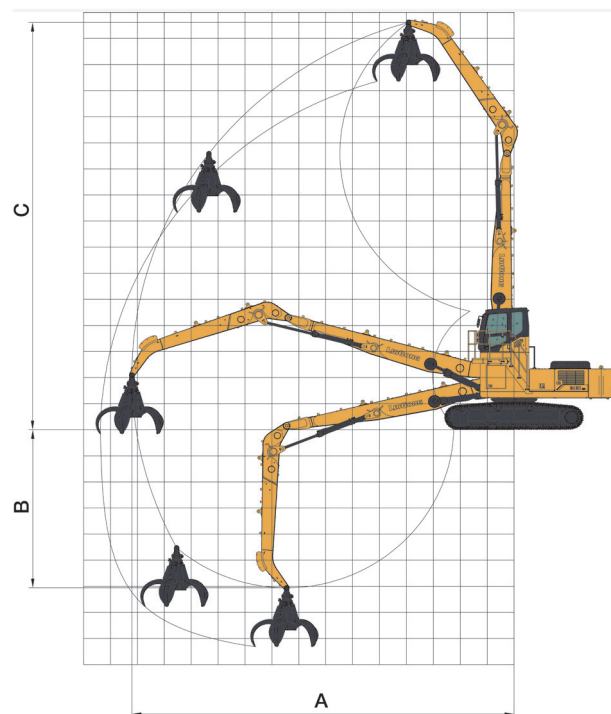
Swing Speed	9.2 rpm
-------------	---------

WORK RANGE

A. Max. Working Radius	14,200 mm
B. Max. Working Depth	6,050 mm
C. Max. Working Height	15,600 mm

OPTIONAL EQUIPMENT

Elevated Cab (Lifting Height)	2,537 mm
-------------------------------	----------



Guangxi Liugong Machinery Co., Ltd.

No. 1 Liutai Road, Liuzhou, Guangxi 545007, PR China
T: +86 772 3886124 E: overseas@liugong.com
www.liugong.com

06/2022 Designed by LiuGong

Specifications and designs are subject to change without notice. Machines shown may include optional equipment. LiuGong standard and optional equipment may vary from region to region. Please consult your LiuGong dealer for information specific to your area. Engine power kW is converted to metric hp in this file (1 kW=1.3596 hp).